

# WATER CHILLERS

CONTINUOUS FLOW, FOR BAKING AND PASTRY-MAKING

The appliances of the range are continuous flow water chillers

■ The range consists of 5 models :

Single tank models : **RCS45**, **RCS60** and **RCS90**

Double tank models : **RCD120** and **RCD180**

■ Hourly output for water from +20°C to +3°C : 45, 60 and 90 litres according to the single tank models

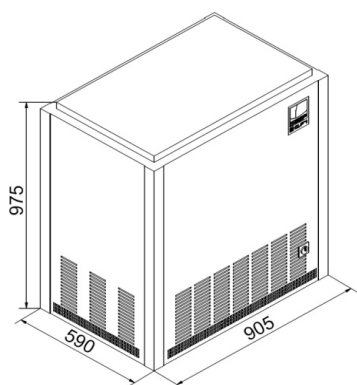
■ Hourly output for water from +20°C to +1°C : 120 and 180 litres according to the double tank models

■ The exclusive operating principle of these appliances is based on the circulation on water coming from the domestic network, in a stainless steel exchanger immersed in an iced water bath

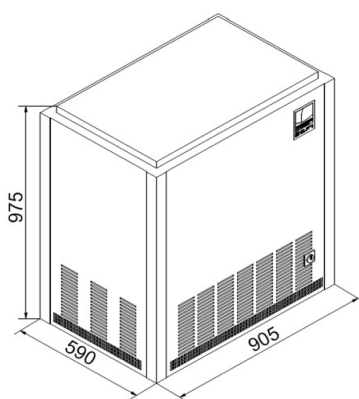
■ No draft pump is required, water is circulated by means of the water supply pressure, 3/4 connection (20x27).



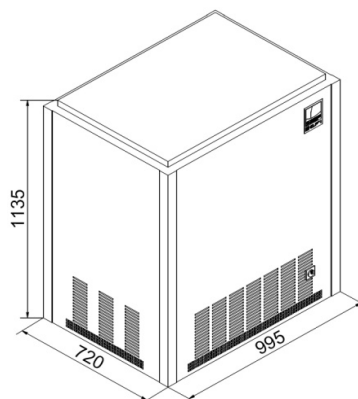
# ■ TECHNICAL DATA



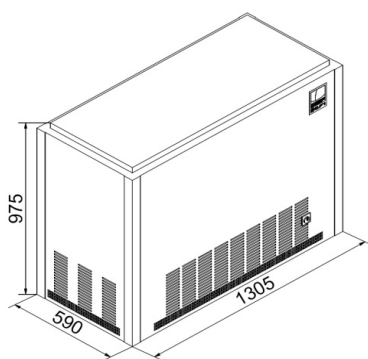
RCS 45



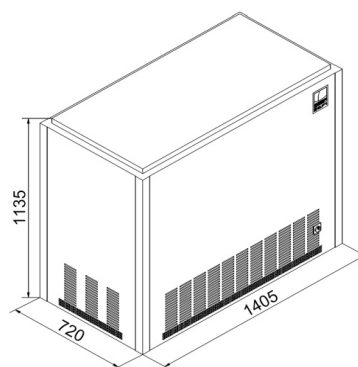
RCS 60



RCS 90



RCD 120



RCD 180

|                                 | RCS 45                            | RCS 60                           | RCS 90                            | RCD 120                                    | RCD 180                                  |
|---------------------------------|-----------------------------------|----------------------------------|-----------------------------------|--|--|
| Hourly output                   | 45 litres/hour from +20°C to +3°C | 60 litres/hour from +20° to +3°C | 90 litres/hour from +20°C to +3°C | 120 litres/hour from +20°C to +3°C         | 180 litres/hour from +20°C to +3°C       |
| Tank type                       | Simple                            | Simple                           | Simple                            | Double                                     | Double                                   |
| Tank volume                     | 140 litres                        | 140 litres                       | 250 litres                        | 140 litres et 55 litres                    | 250 litres et 75 litres                  |
| Number of agitators             | 2                                 | 2                                | 2                                 | 3  | 3  |
| Max. water pressure             | 3 bars                            | 3 bars                           | 3 bars                            | 3 bars                                     | 3 bars                                   |
| Refrigeration unit              | 1 refrigerating unit of 1/2 CV    | 1 refrigerating unit of 2/3 CV   | 1 refrigerating unit of 1 CV      | 2 refrigerating units of 2/3 CV and 1/4 CV | 2 refrigerating units of 1 CV and 3/8 CV |
| Refrigerating capacity at -10°C | 0,6 KW                            | 0,7 KW                           | 1,5 KW                            | 0,6 KW + 0,4 KW                            | 1,5 KW + 0,5 KW                          |
| Fluid                           | R134A                             | R134A                            | R134A                             | R134A                                      | R134A                                    |
| Voltage                         | 220-240V ~IPH+N+T                 |                                  |                                   |  |  |
| Frequency                       | 50 HZ                             | 50 HZ                            | 50 HZ                             | 50 HZ                                      | 50 HZ                                    |
| Connecting electrical power     | 1,5 KW                            | 1,5 KW                           | 2 KW                              | 2 KW                                       | 2,5 KW                                   |
| Connection                      | 5 A                               | 5,5 A                            | 9 A                               | 7 A  | 11,5 A                                   |
| Net weight with empty tank      | 110 KG                            | 110 KG                           | 175 KG                            | 175 KG                                     | 225 KG                                   |
| Weight with full tank           | 250 KG                            | 250 KG                           | 425 KG                            | 370 KG                                     | 550 KG                                   |